



## B TWIST GLASS

Hydraulic closing system

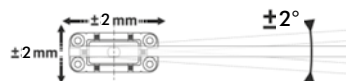
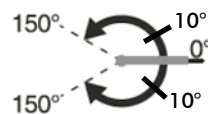


### SCOPE OF APPLICATION

- > Interior doors
- > Tempered glass doors
- > Double-action doors

### TECHNICAL DATA

- > 500.000 opening tested cam mechanism
- > Maximum door open angle 150°
- > 2 closing speed controllers
- > Force 3
- > Adjustable in 2 directions (+/- 2 mm)

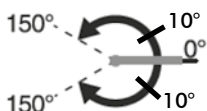


### BENEFITS

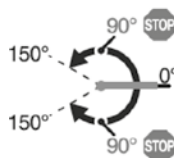
- > Simple and quick installation
- > Non-excavating
- > Visually attractive

### VARIANTS

> No hold open



> Hold open 90°



### FINISH

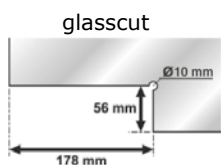
> Polished

> Brushed

### CONDITIONS OF USE

> Suitable doors:

Max. door weight	Door width	Max. door weight	Glass thickness	Temperature of use
100 kg	1.000 mm	2.400 mm	8, 10, 12 mm	10°C à 50°C



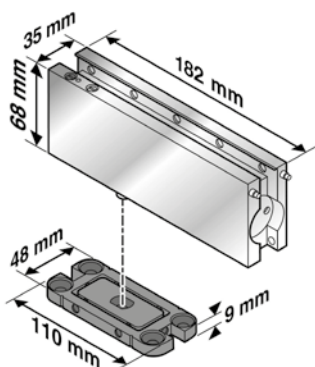
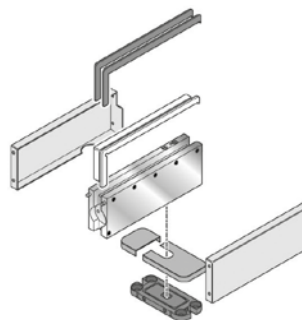
SEV 15

### INSTALLATION

> Size:

	Length	Width	Height
Mechanism	182 mm	35 mm	68 mm
Socket	110 mm	48 mm	9 mm

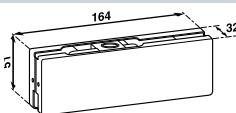
Assembly instructions sheet included.



### ACCESSORIES

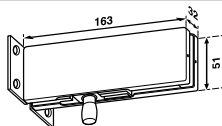
### REFERENCES

#### TOP PATCH



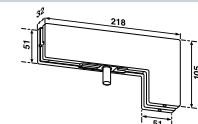
Polished **SN313512**  
Brushed **SN313513**

#### OVERPANEL PATCH (WITH FIXING PLATE)



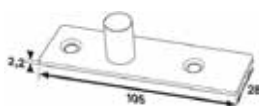
Polished **SN313517**  
Brushed **SN313518**

#### PATCH FOR OVER PANEL AND SIDE PANEL



Polished **SN313522**  
Brushed **SN313523**

#### UPPER ROTARY AXIS



Polished **SN313526**  
Brushed **SN313527**

**SAINT-GOBAIN**  
**SEVA**

**SAINT-GOBAIN SEVA**

43, rue du Pont de Fer  
BP 10176  
71105 Chalon-s-Saône Cedex  
FRANCE

Tél. +33 (0)3 85 47 25 59  
Fax +33 (0)3 85 47 25 38

This document is for information only and is not contractually binding.

[www.sevax.com](http://www.sevax.com)

