



JANUS LINTEL

Lintel mechanism

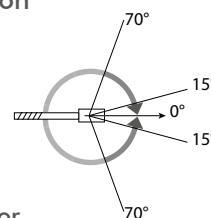


SCOPE OF APPLICATION

- > Single or double action doors
- > Doors of wood, metal or tempered glass
- > Doors fitted with controlled closure systems: electric strike plate or access control - air valves

TECHNICAL DATA

- > 500.000 openings tested
- > Reduce footprint
- > Opening and return stroke from -180° to $+180^{\circ}$
- > 3 speed adjustment providing very flexible operation
- > Delayed action closing
- > Upper transom fitting in wood, aluminium or steel
- > EN 1154: 1996 + A1: 2002 + AC: 2006



BENEFITS



0333

- > Invisible
- > Delayed action suitable for slow traffic
- > Adjustable speed depending on traffic

* Floor spring no hold open use on fire / smoke evacuation door.
Floor spring with hold open use only on evacuation door.

VARIANTS

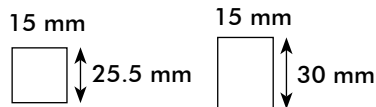
> Strength

- 3PMR
- 3
- 4
- 5

> Spindles

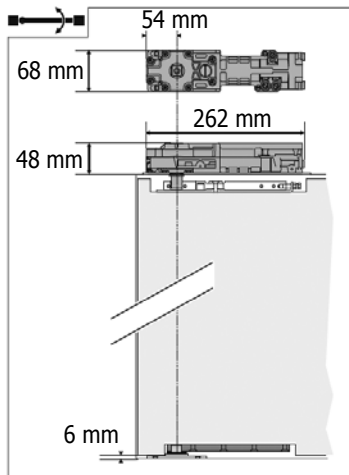
(sold separately)

- Height :



> Hold open

- No hold open
- 90°
- 105°
- On request
- Customised hold open on demand



CONDITIONS OF USE

> Compatible doors:

- Maximum weight: **150 kg**
- Maximum height: **2.400 mm**

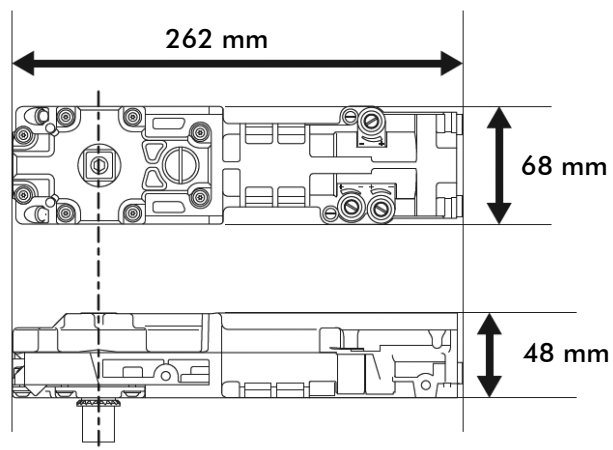
Adjustable strength according to following recommendations:

Strength	Recommended maximum width	Maximum opening torque (0°-4°)
3PMR	950 mm	27 Nm
3	950 mm	33 Nm
4	1.100 mm	47 Nm
5	1.250 mm	56 Nm

Note : Above performance values apply to standard conditions of use, wind-free and vandalism-free. For heavy large sized door, with special fitting we recommend to select higher strength.

INSTALLATION

> Mechanism size:



Instructions included.

The addition of a doorstep at least 2/3 of the way along the door leaf is indispensable.

* See Price-list

SAINT-GOBAIN
SEVA

SAINT-GOBAIN SEVA

43, rue du Pont de Fer
BP 10176
71105 Chalon-s-Saône Cedex
FRANCE

Tél. +33 (0)3 85 47 25 59
Fax +33 (0)3 85 47 25 38

This document is for information only and is not contractually binding.

www.sevax.com

