



D 2050 T

Top mounted door closers

RYOBI

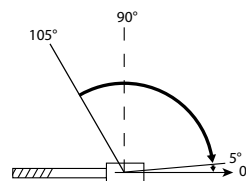


SCOPE OF APPLICATION

- > Simple action doors
 - Wood
 - Metal
 - Tempered glass with special accessories

TECHNICAL DATA

- > Rack pinion mechanism tested 500.000 cycles
- > Strength 3
- > Anti-vandalism arm
- > Backcheck adjustable 60°-105°
- > Backcheck as standard, adjustable by needle valve
- > Anti-corrosion protection
- > EN 1154: 1996 + A1: 2002 + AC: 2006



BENEFITS



- > Anti-vandalism boom

* Floor spring no hold open use on fire / smoke evacuation door.

RYOBI

FINITION

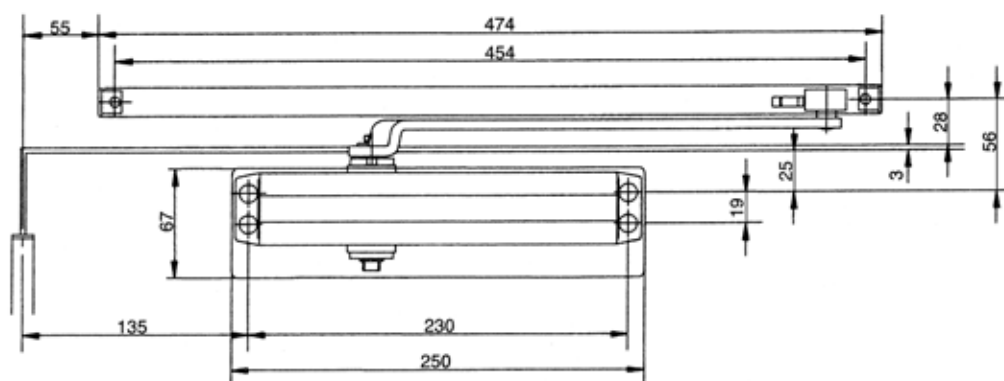
> Silver

CONDITIONS OF USE

Strength	Recommended maximum width	Maximum opening torque (0°-4°)	Maximum weight
3	950 mm	24 Nm	60 kg

INSTALLATION

Drilling template included.



OPTIONS

- > DIN mounting support plate
- > Glass door support (mechanism)
- > Stop module for anti-vandalism boom
- > Open door stop module

* See Price-list



SAINT-GOBAIN
SEVA

SAINT-GOBAIN SEVA

43, rue du Pont de Fer
BP 10176
71105 Chalon-s-Saône Cedex
FRANCE

Tél. +33 (0)3 85 47 25 59
Fax +33 (0)3 85 47 25 38

This document is for information only and is not contractually binding.

www.sevax.com




SAINT-GOBAIN
SEVA