



D 8803

Top mounted door closers

RYOBI

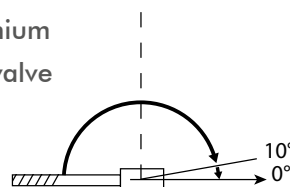


SCOPE OF APPLICATION

- > Simple action doors
 - Wood
 - Metal

TECHNICAL DATA

- > Rack pinion mechanism tested for 500.000 cycles
- > Strength 3
- > Link-arm
- > Body made of high resistance moulded aluminium
- > Backcheck as standard, adjustable by needle valve
- > Anti-corrosion protection
- > Silver finish
- > EN 1154: 1996 + A1: 2002 + AC: 2006



BENEFITS



- > Economical
- > Highly reliable

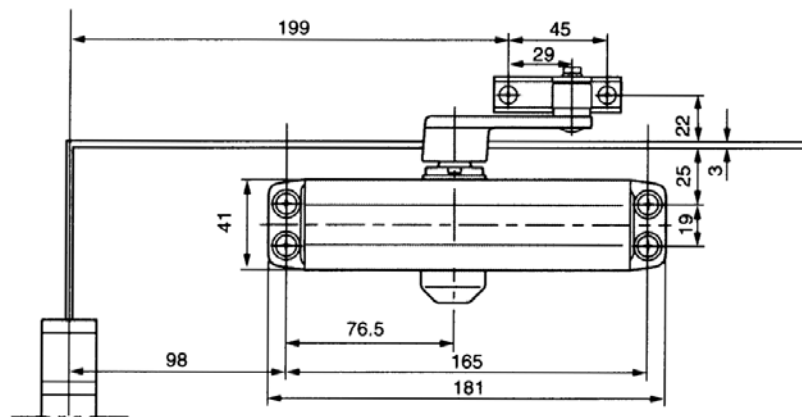
* Floor spring no hold open use on fire / smoke evacuation door.

CONDITIONS OF USE

<i>Strength</i>	<i>Recommended maximum width</i>	<i>Maximum opening torque (0°-4°)</i>	<i>Maximum weight</i>
3	950 mm	33 Nm	65 kg

INSTALLATION

Drilling template included.



* See Price-list


SAINT-GOBAIN
SEVA

SAINT-GOBAIN SEVA

43, rue du Pont de Fer
 BP 10176
 71105 Chalon-s-Saône Cedex
 FRANCE

Tél. +33 (0)3 85 47 25 59
 Fax +33 (0)3 85 47 25 38

This document is for information only and is not contractually binding.

www.sevax.com

