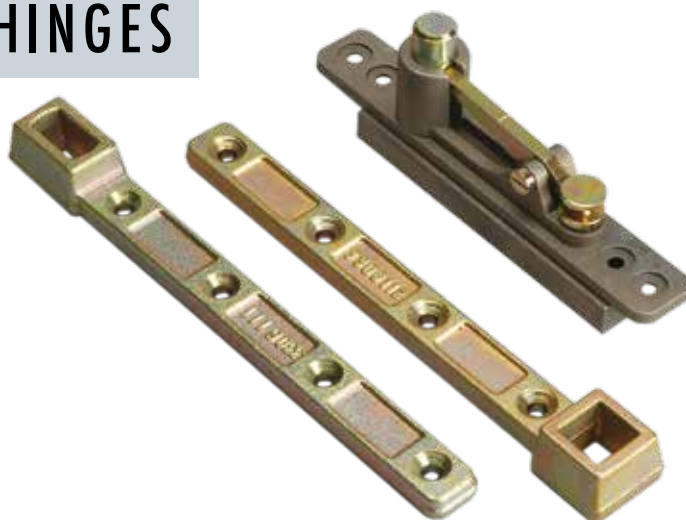




STRAP HINGES



HINGE BEARINGS



& ACCESSORIES



FIELD OF APPLICATION

- > Single or double action doors
- > Wood or metal doors
- > Full or framed doors

BENEFITS

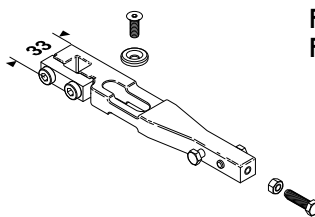
- > Rugged
- > Elegant finish

STRAP HINGES - HINGE BEARINGS & ACCESSORIES

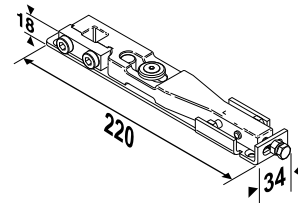
UPPER STRAP HINGE FOR JANUS LINTEL (SIDE OPENING)

REFERENCES

- Forged boom
- Two adjustments:
 - 0° angle, door closed: +/- 3°
 - door plumbline: 5 mm
- Mounted on welded or screw-fixed plate
- For parallel square tip



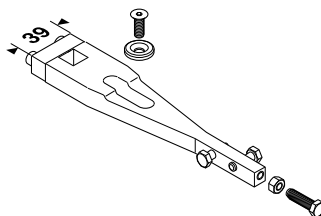
For doors 50 mm **SN306697**
For doors 40 mm **SN314197**



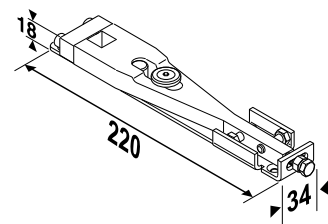
UPPER STRAP HINGE FOR JANUS LINTEL (REAR OPENING)

REFERENCES

- Forged boom
- Two adjustments:
 - 0° angle, door closed: +/- 3°
 - door plumbline: 7 mm
- Fitting on screw-fixed or welded plate
- For parallel square tip



For doors 50 mm **SN308850**
For doors 40 mm **SN314518**



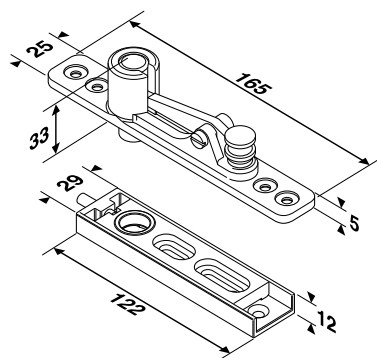
ADJUSTABLE UPPER HINGE STRAP (DOUBLE ACTION)

REFERENCE

- Zamak body
- Needle bearing
- Two axis exit positions
- 18 mm adjustment for door plumbline
- Small footprint



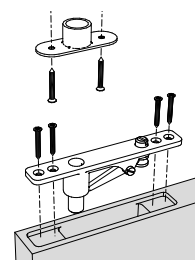
S3306024



T-TWIST

REFERENCE

- Zamak body
- Needle bearing
- Two axis exit positions



SN314764

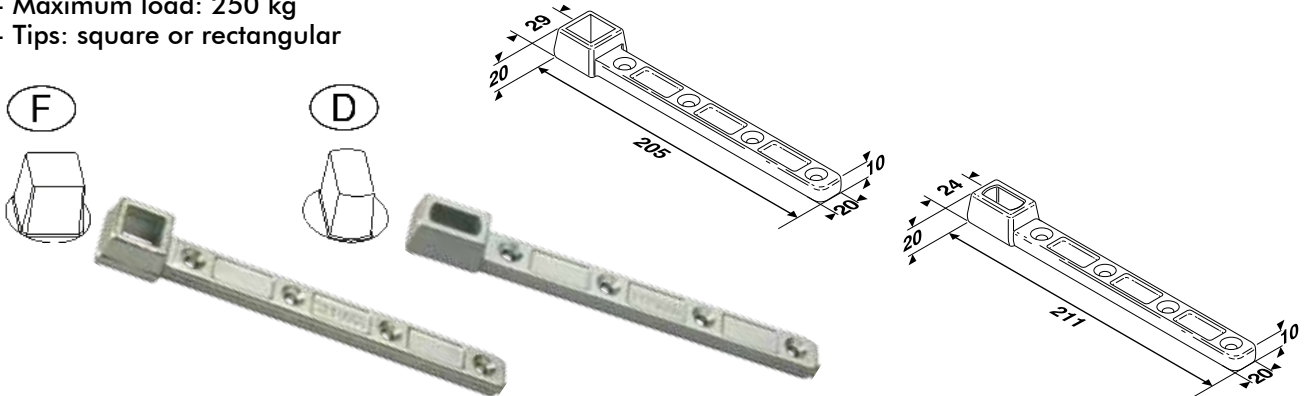
STRAP HINGES - HINGE BEARINGS & ACCESSORIES

INTERNAL HINGE STRAP (DOUBLE ACTION)

REFERENCES

- Forged component
- Reversible left or right
- Two mounting planes depending on opening direction
- Maximum load: 250 kg
- Tips: square or rectangular

Square footprint **S3306112**
 Rectangular footprint **S3306111**

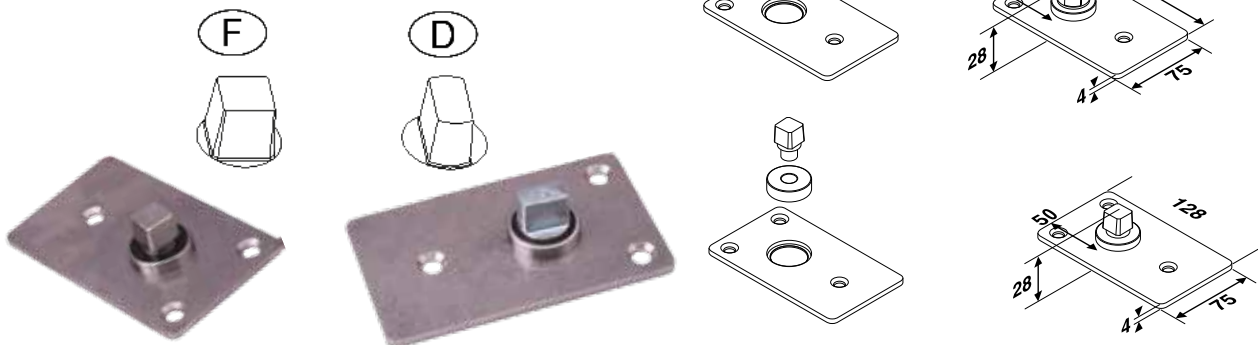


BALL BEARING HINGE

REFERENCES

- Stainless steel plate
- Closed ball bearing
- Fixed with screws (included)
- Maximum load: 150 kg
- Tips: square or rectangular

Square axis **SN308291**
 Rectangular axis **SN311161**

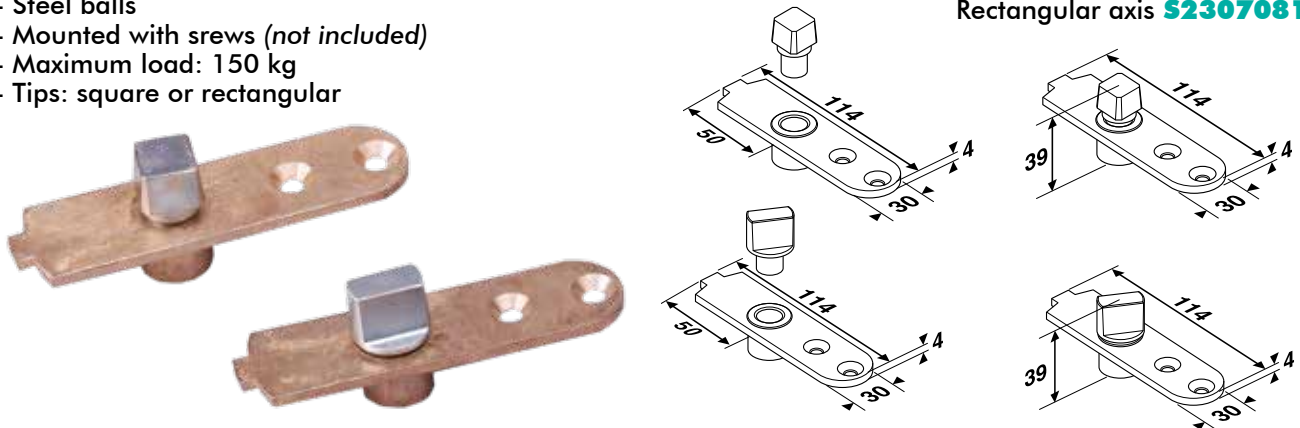


BALL BEARING HINGE

REFERENCE

- Brass body
- Steel balls
- Mounted with screws (not included)
- Maximum load: 150 kg
- Tips: square or rectangular

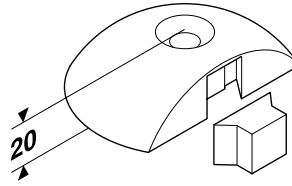
Square axis **S2307083**
 Rectangular axis **S2307081**



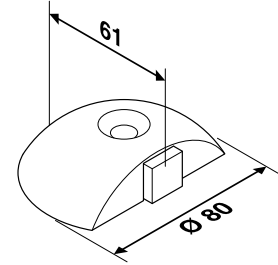
STRAP HINGES - HINGE BEARINGS & ACCESSORIES

FLOOR STOP

- Body made of zamak alloy
- Spherical shape
- Positioning pin: 10 mm
- Attractive



Bright chromium **WA759205**
Mat chromium **WA759206**



* See Price-list


SAINT-GOBAIN
SEVA

SAINT-GOBAIN SEVA

43, rue du Pont de Fer
BP 10176
71105 Chalon-s-Saône Cedex
FRANCE
Tél. +33 (0)3 85 47 25 59
Fax +33 (0)3 85 47 25 38

This document is for information only and is not contractually binding.

www.sevax.com




SAINT-GOBAIN
SEVA