



Integra24

Concealed door closer



SCOPE OF APPLICATION

- > Single action doors
 - Wood
 - Metal

TECHNICAL DATA

- > 500.000 openings tested cam mechanism
- > Variable closing force from 2 to 4
- > Max angle of opening 110°
- > Concealed in to lintel or in to door thickness
- > Sweep speed and back cheek adjustable by different screws
- > Sliding arm with hold open function
(not to be used on fire proof doors)
- > Silver finish
- > EN1154: 1996 + A1: 2002 + AC: 2006

BENEFITS

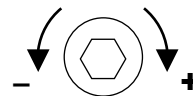


- > Aluminium machined body
- > Anti-Rust protection

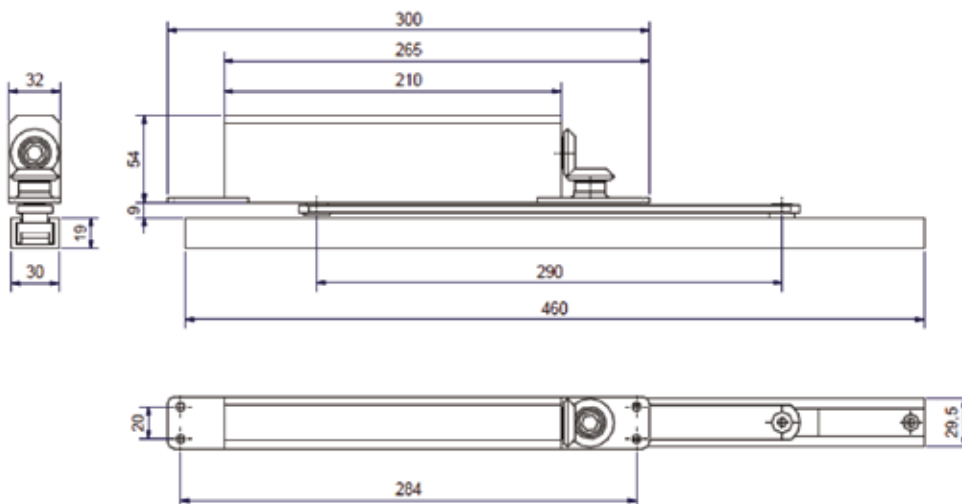
* Floor spring no hold open use on fire / smoke evacuation door.

CONDITION OF USE

Door dimensions (mm)	Weight	Strength
850	40	2
950	60	3
1 100	80	4



INSTALLATION



ACCESSORIES

Available slim arm dimensions 13 x 20 mm

REFERENCES

SN315019

SAINT-GOBAIN
SEVA

SAINT-GOBAIN SEVA

43, rue du Pont de Fer
BP 10176
71105 Chalon-s-Saône Cedex
FRANCE

Tél. +33 (0)3 85 47 25 59
Fax +33 (0)3 85 47 25 38

Les renseignements donnés dans ce document sont donnés à titre indicatif et ne sont pas contractuels

www.sevax.com



PRODUCT INSTALLED IN TO DOOR LINTEL

